



Road Glide® Limited - H-D® Prodigy™ Custom Wheel - Gloss Black

HARLEY-DAVIDSON®

# WHEELS

Make a definitive style statement. Whether you're going for an old-school or new-school look, this is where you set the tone. You'll ride comfortably knowing that Harley-Davidson wheels meet the highest standards of performance and durability.

## 634 WHEELS

Combo Cast Laced Wheel Kit

### A. COMBO CAST LACED WHEEL KIT- 21" FRONT /18" REAR WHEEL KIT FOR ROAD GLIDE® MODELS

Think big, Road Glide® motorcycle riders. Our new Combo custom wheels feature laced spokes that exit outside the cast aluminum rim for a new look that is both rugged and very exclusive. This 21/18-inch wheel kit is only for Road Glide models and includes internal front suspension components to optimize fork travel and ride quality. You get radical big-wheel style without compromising touring performance and reliability. Contrast Chrome and Gloss Black wheel finish. Laced spokes and cast-aluminum rims. Kit includes 21" front wheel, 18" rear wheel and the internal front suspension components necessary to optimize fork travel and ride quality. Enables TPMS (tire pressure monitoring systems) on a laced wheel. Required installation Kit, 21" fender and brake rotors sold separately. Dealer installation required. See dealer for details.

**42400045** Contrast Chrome/Gloss Black. Fits '17-later FLTRX, FLTRXS and FLTRXST models. Does not fit models equipped with Fairing Lower. Can be installed with Chopped Engine Guard P/N 49000117A. Requires separate purchase of TPMS sensor P/N 42300145, except Japan models require P/N 42300146, and valve cap P/N 42300093 for '20-later FL bikes equipped with TPMS. Requires separate purchase of 21" Front Fender, Front Tire P/N 43100008, Rear Tire P/N 43200045 and model-specific Wheel Installation Kits. May require purchase of brake rotors. Models with ABS brakes require ABS recalibration. Dealer installation required. See dealer for details.

#### Also available:

#### COMBO CAST LACED WHEELS

Hit them with this Combo punch for knockout style on a CV0™ Road Glide® model. The radical Combo wheel combines laced spokes that exit outside the cast aluminum rim for a new look that is both rugged and very exclusive. Contrast Chrome and Gloss Black wheel finish. Laced spokes and cast-aluminum rims. Enables TPMS (tire pressure monitoring systems) on a laced wheel.

**43300888** 21" Front. Fits '18-later FLTRXSE models. '18-'20 FLTRXSE models require separate purchase of TPMS Sensor P/N 42300145 (Dom and HDI) or 42300145 (Japan).

**40900871** 18" Rear. Fits '18-later FLTRXSE models. '18-'20 FLTRXSE models require separate purchase of TPMS Sensor P/N 42300145 (Dom and HDI) or 42300145 (Japan).

#### Also available:

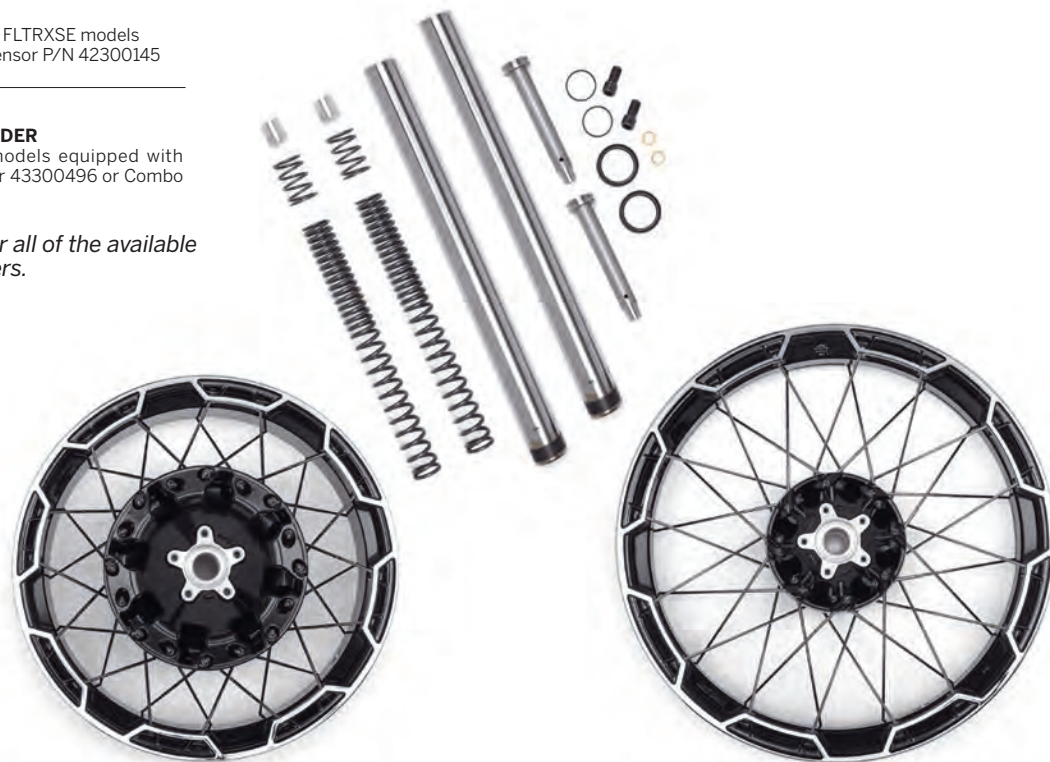
#### COLOR-MATCHED 21" FRONT FENDER

Fits '17-later FLTRX and FLTRXS models equipped with Knockout Wheel Kit P/N 43300494 or 43300496 or Combo Cast Laced Wheel Kit P/N 42400045.

See the Color Shop section for all of the available color-matched 21" front fenders.



A. COMBO CAST LACED WHEEL KIT



A. COMBO CAST LACED WHEEL KIT - FOR ROAD GLIDE MODELS

\*NOTE: Requires separate purchase of model-specific Wheel Installation Kit, Sprocket hardware and Brake Rotor-specific hardware. See I-sheet for details. Installation may require separate purchase of wheel size and model-specific tire.



B. KNOCKOUT CUSTOM WHEEL - CONTRAST CHROME



B. KNOCKOUT CUSTOM WHEEL - GLOSS BLACK/ANODIZED BLACK



B. KNOCKOUT CUSTOM WHEEL KIT - GLOSS BLACK/ANODIZED BLACK (SHOWN WITH TURBINE FLOATING BRAKE ROTOR AND 21" FRONT FENDER)

## WHEELS 635

Knockout™ Custom Wheel Kit

### B. KNOCKOUT™ CUSTOM WHEEL KIT

The perfect one-two styling punch for your custom Road Glide® model. Knockout™ 21" front and 18" rear wheels feature a split seven-spoke design that provides an open and airy look, with the spokes blending into the rim to add visual diameter. Kit includes 21" front wheel, 18" rear wheel and the internal front suspension components necessary to optimize fork travel and ride quality. Available in gloss black with black anodizing or contrast chrome finishes, the Knockout wheel kit provides the big wheel look you crave, without compromising touring performance and reliability.

Fits '17-later FLTRX and FLTRXS models. Does not fit models equipped with Fairing Lower, Road Glide Chizeled Handlebars or Road Glide Chizeled Lo Handlebars. Can be installed with Chopped Engine Guard P/N 49000117A. Requires separate purchase of 21" Front Fender, Front Tire P/N 43100008, Rear Tire P/N 44006-09 and model-specific Wheel Installation Kits. May require purchase of brake rotors. Models with ABS brakes require ABS recalibration. Dealer installation required. See dealer for details. '20-later models equipped with TPMS require separate purchase of Sensor P/N 32700096 (Dom and HDI) or 32700097 (Japan) and Valve Cap P/N 42300093 and Digital Tech activation.

**43300494A** Contrast Chrome.

**43300496A** Gloss Black/Anodized Black.

#### Also available:

#### TURBINE FLOATING BRAKE ROTORS

Complete the custom look with floating brake rotors, styled to complement Original Equipment or custom wheels. Floating rotors feature a steel inner carrier that is shaped to accent the wheel, with a drilled stainless steel outer disc that is precision-riveted in place. Rotors are sold individually and include chrome installation hardware.

Fits '14-'22 XL, '06-'17 Dyna® (except FXDLS), '15-later Softail® (except FXSE), '08-later Touring and '09-later Trike models with Original Equipment or accessory wheel with 3.25" bolt circle rotor mount.

**41500147** Gloss Black Inner.

**41500120** Polished.

#### Also available:

#### COLOR-MATCHED 21" FRONT FENDER

Fits '17-later FLTRX and FLTRXS models equipped with Knockout Wheel Kit P/N 43300494 or 43300496 or Combo Cast Laced Wheel Kit P/N 42400045.

See the Color Shop section for all of the available color-matched 21" front fenders.

#### Model Family Fitment:

V-ROD
  SPORTSTER
  DYNA
   
 SOFTAIL
  TOURING

# 636 WHEELS

Custom Wheels

## A. H-D® PRODIGY™ CUSTOM WHEELS\*

Turn up the excitement level on your Touring family motorcycle with these performance-minded custom wheels. Inspired by European GT race wheels, they boast a leading-edge design that's sure to stand out, wherever you ride. Whether you're headed across town or across the country, they deliver a fresh, exciting look, guaranteed to turn heads and get you noticed.

### 19" Front

Fits '14-later Touring models (except CVO™ models unless originally equipped with H-D® Prodigy™ wheels).

**43300673** Gloss Black.

**43300674** Bronze.

### 18" Rear

Fits '14-later Touring models (except CVO models unless originally equipped with H-D Prodigy wheels).

**40900661** Gloss Black.

**40900662** Bronze.

## B. FUGITIVE™ WHEELS\*

Get the leading-edge style you've been chasing. Featuring a sleek double-spoke design with 14 spokes on each side, the Fugitive™ Wheel delivers a refined profile that pops with eye-catching visual depth and dimension when viewed from an angle. The result is a stunning, one-of-a-kind look. Available in gloss black and contrast chrome finishes, it will give your bike the custom style it needs to stand out from the crowd.

### 19" Front

Fits '14-later Touring models (except CVO™ models unless originally equipped with Fugitive wheels).

**43300668** Gloss Black.

**43300672** Contrast Chrome.

### 18" Rear

Fits '14-later Touring models (except CVO™ models unless originally equipped with Fugitive wheels).

**40900650** Gloss Black.

**40900660** Contrast Chrome.



Gloss Black

A. H-D PRODIGY CUSTOM WHEELS



Gloss Black

B. FUGITIVE WHEELS



C. TOMAHAWK CUSTOM WHEEL – CONTRAST CHROME – GLOSS BLACK/BLACK ANODIZED



C. TOMAHAWK CUSTOM WHEEL – GLOSS BLACK/BLACK ANODIZED

# WHEELS 637

Custom Wheels

## C. TOMAHAWK™ CUSTOM WHEELS\*

This premium cast aluminum Tomahawk™ Wheel features five-spoke design for an open, airy look. Wheel comes in Contrast Chrome or Gloss Black Anodized with Highlights.

### 19" Front

Fits '14-later Touring models (except CVO™ models unless originally equipped with Tomahawk wheels). '20-later models equipped with TPMS require separate purchase of Sensor P/N 32700096 (Dom and HDI) or 32700097 (Japan) and Valve Cap P/N 42300093 and Digital Technician™ activation.

**43300642A** Gloss Black/Black Anodized.

### 19" Front

Fits '19-later FLRT, FLHTCUTG, FLRT and FLHTCUTGSE models. FLRT and FLHTCUTG models require separate purchase of Tower Mount Rotors: (2) P/N 41500094 (polished kit with chrome hardware) or (2) P/N 41500017 Rotors, (10) P/N 41500020 Screws, (10) P/N 41500018 Bushing and (10) P/N 41500019 Spring. FLHTCUTG models (except China) also require separate purchase of Tire P/N 43100045.

**40900624A** Gloss Black Highlighted. **\$796.95**

### 18" Rear

Fits '19-later FLRT, FLHTCUTG, FLRT and FLHTCUTGSE models. FLRT and FLHTCUTG models require separate purchase of Tire P/N 43200046.

**40900651** Gloss Black Highlighted. **\$823.95**

Fits '14-later Touring models (except CVO™ models unless originally equipped with Tomahawk wheels). '20-later models equipped with TPMS require separate purchase of Sensor P/N 32700096 (Dom and HDI) or 32700097 (Japan) and Valve Cap P/N 42300093 and Digital Technician activation.

**40900624A** Gloss Black/Black Anodized. **\$796.95**

\*NOTE: Requires separate purchase of model-specific Wheel Installation Kit, Sprocket hardware and Brake Rotor-specific hardware. See I-sheet for details. Installation may require separate purchase of wheel size and model-specific tire.

\*NOTE: Requires separate purchase of model-specific Wheel Installation Kit, Sprocket hardware and Brake Rotor-specific hardware. See I-sheet for details. Installation may require separate purchase of wheel size and model-specific tire.

### Model Family Fitment:

- V-ROD
- SPORTSTER
- DYNA
- SOFTAIL
- TOURING

## 638 WHEELS

Enforcer & Impeller

### A. ENFORCER CUSTOM WHEELS\*

Bring on the bling! Add a custom touch without changing the distinctive style of your Touring motorcycle. These 100% polished and mirror chrome plated versions of the split 5-spoke Original Equipment cast aluminum wheels broadcast stunning reflections, even while standing still. These wheels have undergone hundreds of hours of real-world testing to meet the highest standards of performance and durability.

#### 19" Front

**43300336**

Fits '09-later Touring models (except models equipped with TPMS and '12-later CVO™ models). Does not fit Trike models.

**43300324**

Fits '09-later Trike models. Does not fit CVO models.

#### 16" Rear

**40900346**

Fits '09-later Touring models (except '12-later CVO models). Does not fit Trike models.

#### 15" Rear – Trike

**40900070**

Fits '09-later Trike models. Does not fit CVO models.

### B. IMPELLER CUSTOM WHEELS\*

Shift into a higher gear. Add a custom touch of chrome without changing the distinctive style of your Touring motorcycle. These custom finished versions of the 10-spoke Original Equipment cast aluminum wheels are the perfect marriage of tough and mechanical. Available in a 100% polished brilliant mirror chrome or contrast chrome finishes, these wheels have undergone hundreds of hours of real-world testing to meet the highest standards of performance and durability.

#### 17" Front

**43300386** Contrast Chrome.

Fits '09-later Touring models (except models equipped with TPMS and '12-later CVO™ models). Does not fit Trike models.

#### 16" Rear

**40900391** Contrast Chrome.

Fits '09-later Touring models (except models equipped with TPMS and '12-later CVO models). Does not fit Trike models.



A . ENFORCER CUSTOM WHEELS



C. TURBINE CUSTOM WHEELS – GLOSS BLACK



B. IMPELLER CUSTOM WHEELS – CONTRAST CHROME



D. AGITATOR CUSTOM WHEELS – MIRROR CHROME

## WHEELS 639

Turbine

### C. TURBINE CUSTOM WHEELS\*

Bring the gleam and add some edge. These cast aluminum Turbine-style wheels feature 21 spokes, which extend all the way to the edge of the rim, creating the illusion of a larger wheel diameter. The visually stunning wheels are meticulously polished and painted gloss black or chrome-plated for maximum reflective effect. All Genuine Motor Accessory wheels have been certified by Harley-Davidson to perform to our tough vehicle standards for quality and durability. Available in two unique finishes.

#### 19" Front

**43300640** Gloss Black.

Fits '14-later Touring models (except CVO™ models). Does not fit Trike models. Requires separate purchase of (2) Turbine Floating Brake Rotors P/N 41500120 or 41500147. '20-later models equipped with TPMS require separate purchase of Sensor P/N 32700096 (Dom and HDI) or 32700097 (Japan) and Valve Cap P/N 42300093 and Digital Tech activation.

#### 18" Rear

**40900622** Gloss Black.

Fits '14-later Touring models (except CVO models). Does not fit Trike models. '20-later FL models equipped with TPMS require separate purchase of Sensor P/N 32700096 (Dom and HDI) or 32700097 (Japan) and Valve Cap P/N 42300093 and Digital Technician™ activation.

#### Shown with:

##### TURBINE FLOATING BRAKE ROTORS

Complete the custom look with floating brake rotors, styled to complement Original Equipment or custom wheels. Floating rotors feature a steel inner carrier that is shaped to accent the wheel, with a drilled stainless steel outer disc that is precision-riveted in place. Rotors are sold individually and include chrome mounting hardware.

Fits '14-'22 XL, '06-later Dyna® (except FXDLS), '15-later Softail® (except FXSE), '08-later Touring and '09-later Trike models with Original Equipment or accessory wheel with 3.25" bolt circle rotor mount.

**41500120** Polished.

**41500147** Gloss Black Inner.

### D. AGITATOR CUSTOM WHEELS\*

Get ready to stir things up. The 7 forward-facing spokes of these Agitator Wheels dig deep into the soul for maximum custom impact. Spiraling from the custom hub, the flat profile spokes blend to the edge of the rim, minimizing the profile of the wheel and adding an open look that's easy to see around the matching Floating Brake Rotors. Available in your choice of finish, these wheels will set the stage for your custom direction.

#### 19" Front

Fits '09-later Road King®, Road Glide® and Street Glide® models and '14-later Ultra Classic® and Ultra Limited models (except models equipped with TPMS, '12-later CVO™ models unless originally equipped with Agitator wheels). Does not fit Trike models. Requires separate purchase of Agitator Floating Brake Rotors.

**55071-11A** Mirror Chrome.

#### 18" Rear

Fits '09-later Touring models (except models equipped with TPMS, '12-later CVO models unless originally equipped with Agitator wheels). Does not fit Trike models.

**47951-10A** Mirror Chrome.

\*NOTE: Requires separate purchase of model-specific Wheel Installation Kit, Sprocket hardware and Brake Rotor-specific hardware. See I-sheet for details. Installation may require separate purchase of wheel size and model-specific tire.

#### Model Family Fitment:

V-ROD
  SPORTSTER
  DYNA
   
 SOFTAIL
  TOURING

\*NOTE: Requires separate purchase of model-specific Wheel Installation Kit, Sprocket hardware and Brake Rotor-specific hardware. See I-sheet for details. Installation may require separate purchase of wheel size and model-specific tire.

# 640 WHEELS

## Custom Wheels

### A. SEISMIC™ CUSTOM WHEELS\*

This 10-spoke cast aluminum design is both aggressive in styling and attitude. Offered in Gloss Black with Machined Highlights or Matte Graphite finishes.

#### 21" Front

Fits '18-later FXBR and FXBRS models.

**43300597** Gloss Black with Machined Highlights.

#### 18" Front

Fits '18-later FLFB and FLFBS models.

**43300594** Gloss Black with Machined Highlights.

#### 18" Rear

Fits '18-later FXBR, FXBRS, FLFB, and FLFBS models..

**40900574** Gloss Black with Machined Highlights.

### B. ANNIHILATOR CUSTOM WHEELS\*

As you run red light to red light, never settle for second place. The 6-spoke design of the Annihilator Custom Wheel commands attention while slamming through the twisties or city streets. The fierce lines on the rim add a custom look that is sure to obliterate the competition. Tested to H-D's rigorous standards for durability and finish, the Annihilator Wheel will give you years of un-rivaled style and trouble-free miles. Requires separate purchase of model-specific Wheel Installation Kit, Sprocket Hardware and Brake Rotor-specific hardware.

#### 19" Front

Fits '18-later FXBB, FXBBS models and '20-later FXST models.

**43300593** Gloss Black with Machined Highlights.

#### 18" Front

Fits '18-later FLSB models.

**43300589** Gloss Black with Machined Highlights.

#### 16" Rear

Fits '18-later FXBB, FXBBS models and '20-later FXST models.

**40900571** Gloss Black with Machined Highlights.

#### 16" Rear

Fits '18-later FXFB, FXFBS, FXLR and FLSB models.

**40900572** Gloss Black with Machined Highlights.



A. SEISMIC CUSTOM WHEEL – GLOSS BLACK WITH MACHINED HIGHLIGHTS



B. ANNIHILATOR CUSTOM WHEEL – GLOSS BLACK WITH MACHINED HIGHLIGHTS

\*NOTE: Requires separate purchase of model-specific Wheel Installation Kit, Sprocket hardware and Brake Rotor-specific hardware. See I-sheet for details. Installation may require separate purchase of wheel size and model-specific tire.

# WHEELS 641

## Wheel Installation Kits

### C. WHEEL INSTALLATION KITS

Once you select your wheel style, select the Wheel Installation Kit designed specifically for your motorcycle. Kit includes the bearings and spacers required for installation.

**43848-08A** Front, 1.0" axle.  
Fits '02-'07 VRSC™, '04-'07 Dyna® (except '04-'05 FXDWG) and '00-'07 Touring models.

**42400034** Front, 25mm axle, ABS.  
Fits '18-later Softail® models with ABS brakes (except FLDE, FLHC, FLHCS, FLSL, FXLRS and FXLRST).

**42400033** Front, 25mm axle.  
Fits '18-later Softail models without ABS (except FLSL).

**43851-11B** Front, 25mm axle.  
Fits '18-later FLSL models without ABS brakes, '08-'17 FLD, FXDF and FXDWG without ABS brakes and '07-'17 Softail models without ABS brakes (except FLSTSC, FLSTSB, FXCW, FXCWC, FXSB and FXSE).

**41454-08B** Front, 25mm axle, ABS.  
Fits '08-'17 VRSC with ABS brakes, '12-'17 FXDB, FXDC and FXDL and '16-'17 FXDLS with ABS brakes, '08-later Touring models with ABS brakes, and '19-later Trike models with ABS brakes.

**41455-08C** Front, 25mm axle.  
Fits '08-'17 VRSC without ABS brakes, '08-'17 Dyna without ABS brakes (except FLD, FXDF, FXDLS and FXDWG), '16-'17 FXSE and '08-later Touring and Trike models without ABS brakes. Also fits '09-'11 Sidecar.

**42400008** Front, 25mm axle.  
Fits '15-'20 XG, (except XG750A), '08-'22 XL without ABS brakes and '13-'17 FXSB models without ABS brakes.

**42400009A** Front, 25mm axle, ABS.  
Fits '14-'22 XL models with ABS brakes and '13-'17 FXSB and FXSBSE models with ABS brakes.

**42400010A** Front, 25mm axle, ABS.  
Fits '18-later FLSL, FLDE, FLHC and FLHCS models with ABS brakes, '12-'17 FLD, FXDF and FXDWG with ABS brakes and '11-'17 Softail models with ABS brakes (except FLSTSB and FXCWC, FXCW, FXSB and FXSBSE).

**43854-08A** Rear, .75" axle.  
Fits '00-'04 XL, '00-'05 Dyna, '00-'07 Softail and '00-'01 Touring models.

**43861-08A** Rear, 1.0" axle.  
Fits '02-'07 VRSC, '05-'07 XL, '06-'07 Dyna and '02-'07 Touring models.

**43878-08B** Rear, 25mm axle.  
Fits '08-'19 XL (except XL1200CX), '18-later FLSL, FLDE, FLHC and FLHCS models without ABS brakes, '08-'17 Softail® (except FXCW, FXCWC, FXSB and FXSE) and '08 Touring models without ABS brakes.

**41451-08C** Rear, 25mm axle.  
Fits '15-'20 XG, '16-'21 XL1200CX, '18-'22 XL1200NS and XL1200XS and '20-'22 XL and '08-'17 Dyna® models without ABS brakes.

**41456-08C** Rear, 25mm axle.  
Fits '08-'13 VRSC™ without ABS brakes, '08-'13 FXCW, FXCWC and FXSB without ABS brakes and '09-'19 Touring models without ABS brakes.

**41453-08C** Rear, 25mm axle, ABS.  
Fits '08-'17 VRSC with ABS brakes, '14-'22 XL with ABS brakes (except '16-'19 XL1200CX) and '08-later Touring models with ABS brakes.

**42400036** Rear, 25mm, ABS  
Fits '18-later Softail models with ABS.

**42400035** Rear 25mm  
Fits '18-later Softail models without ABS.

**43077-11A** Rear, 25mm axle, ABS.  
Fits '18-later FLSL, FLDE, FLHC and FLHCS models with ABS brakes, '11-'17 Softail models with ABS brakes.

**42400003** Rear, 25mm axle, ABS.  
Fits '12-'17 Dyna models with ABS brakes.



C. WHEEL INSTALLATION KITS

#### Model Family Fitment:

- V-ROD
- SPORTSTER
- DYNA
- SOFTAIL
- TOURING

# 642 WHEELS

Brake Rotors

## POLISHED BRAKE ROTORS

A perfect complement to stock or custom wheels. Manufactured to Original Equipment specifications for exact fit, these rotors are meticulously polished to achieve a chrome-like appearance. Rotors are sold individually and include chrome installation hardware.

**A.** Fits '09-later Touring models (except FLHRC, FLHRSE and FLHTKSE) with H-D Prodigy, Tomahawk, Enforcer or Impeller wheels.

**41500094** Front.

**B.** Fits '00-'13 XL and XR, '00-'05 Dyna®, '00-'14 Softail® (except Springer™) and '00-'07 Touring models.

**41830-05A** Front – Left Side.

**41831-05A** Front – Right Side.

**C.** Fits '17-'20 FLHRXS, '14-later FLHRC and '08-'13 Touring (except '08 FLHRSE, '10-'11 FLHXSE and '09 FLTRSE) and Trike models. Fits selected accessories wheels with standard 5-hole hub-mount brake disc. Consult wheel I-sheet for details.

**44950-08** Front – Left Side.

**44959-08** Front – Right Side.

**D.** Fits '06-'17 VRSC™ and Dyna models. Also fits '08-later Touring and Trike models. Requires Original Equipment or accessory wheel with 6.7" bolt circle rotor mount. Does not fit Enforcer or Impeller wheels.

**41500012A** Front.

**E.** Fits '00-'10 XL, '00-'17 Dyna and Softail and '00-'07 Touring models. Separate purchase of Brake Rotor Hub Plate P/N 43837-00 is required when installing on FXSTD Original Equipment 17" wheels.

**41832-05A** Rear.

## F. AGITATOR POLISHED BRAKE ROTORS

**Front Left.** Fits '09-later Touring models equipped with Agitator Custom Front Wheel (except CVO™ models).

**41500007** Chrome Inner.

**41500053** Gloss Black Inner.

**Front Right.** Fits '09-later Touring models equipped with Agitator Custom Front Wheel (except CVO models).

**41500008** Chrome Inner.

**41500052** Gloss Black Inner.



**A. POLISHED BRAKE ROTOR – FRONT**



**A. POLISHED BRAKE ROTOR – FRONT**



**G. SEISMIC BRAKE ROTORS – GRAPHITE**



**H. ANNIHILATOR BRAKE ROTORS – GLOSS BLACK**



**B. POLISHED BRAKE ROTOR – FRONT (41831-05A SHOWN)**



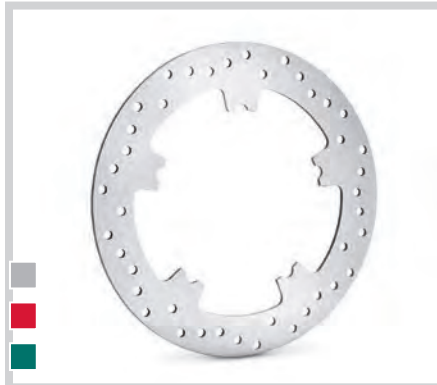
**C. POLISHED BRAKE ROTOR – FRONT (44950-08 SHOWN)**



**I. POLISHED FLOATING BRAKE ROTORS – SPLIT 7 SPOKE**



**I. POLISHED FLOATING BRAKE ROTORS – SPLIT 7 SPOKE, BLACK**



**D. POLISHED BRAKE ROTOR – FRONT**



**E. POLISHED BRAKE ROTOR – REAR**



**I. POLISHED FLOATING BRAKE ROTORS – CHROME**



**I. POLISHED FLOATING BRAKE ROTORS – TEARDROP**



**F. POLISHED AGITATOR POLISHED BRAKE ROTORS – CHROME INNER**



**F. POLISHED AGITATOR POLISHED BRAKE ROTORS – GLOSS BLACK INNER**



**I. POLISHED FLOATING BRAKE ROTORS – VIVID BLACK**



**I. POLISHED FLOATING BRAKE ROTORS – TURBINE (INSET SHOWS GLOSS BLACK)**

### Model Family Fitment:

- V-ROD
- SPORTSTER
- DYNA
- SOFTAIL
- TOURING

# WHEELS 643

Brake Rotors

## G. SEISMIC™ BRAKE ROTOR

A perfect complement to the 10 spoke Seismic™ Custom Wheel or replacement of OE rotor. Offered with a Gloss Black Inner or Matte Graphite Inner. Installation hardware included.

**Front**  
Fits '14-'22 XL, '06-'17 Dyna® (except FXDLS), '15-later Softail® (except FXSE), '08-later Touring and '09-later Trike models with Original equipment or accessory wheel with 3.25" bolt circle rotor mount.

**41500154** Gloss Black Inner.

**41500163** Matte Graphite Inner.

**Rear**  
Fits '00-'10 XL, '00-'17 Dyna® (except FXDLS), '00-later Softail (except FXSE), '00-'07 Touring models. Separate purchase of Brake Rotor Hub Plate P/N 43837-00 is required when installing on FXSTD Original Equipment 17" wheels.

**41500156** Gloss Black Inner.

**41500161** Matte Graphite Inner.

## H. ANNIHILATOR BRAKE ROTORS

Add a custom of one look to your 6-spoke Annihilator Custom Wheel with the floating Annihilator Brake Rotor. This brake rotor features a steel inner carrier that is shaped to accent the Annihilator wheel and features a drilled stainless steel outer disc that is precision-riveted in place. Rotors are sold individually and include chrome installation hardware.

**Front**  
Fits '14-'22 XL, '06-'17 Dyna® (except FXDLS), '15-later Softail® (except FXSE), '08-later Touring and '09-later Trike models with Original equipment or accessory wheel with 3.25" bolt circle rotor mount.

**41500172** Gloss Black Inner.

**Rear**  
Fits '00-'10 XL, '00-'17 Dyna (except FXDLS), '00-later Softail (except FXSE) and '00-'07 Touring models. Separate purchase of Brake Rotor Hub Plate P/N 43837-00 is required when installing on FXSTD Original Equipment 17" wheels.

**41500174** Gloss Black Inner.

## I. POLISHED FLOATING BRAKE ROTORS

Complete the custom look with floating brake rotors, styled to complement Original Equipment or custom wheels. Floating rotors feature a steel inner carrier that is shaped to accent the wheel, with a polished and drilled stainless steel outer disc that is precision-riveted in place. Rotors are sold individually and include chrome installation hardware.

**Front**  
Fits '14-'22 XL, '06-'17 Dyna® (except FXDLS), '15-later Softail® (except FXSE), '08-later Touring and '09-later Trike models with Original Equipment or accessory wheel with 3.25" bolt circle rotor mount.

**41500107** Split 7 Spoke.

**41500108** Split 7 Spoke, Black.

**44944-08A** Chrome.

**44942-08A** Teardrop – Chrome & Raw.

**44947-08A** Vivid Black.

**41500120** Turbine.

**41500147** Turbine – Gloss Black.

**Front**  
Fits '00-'13 XL and XR, '00-'05 Dyna, '00-'14 Softail (except Springer™) and '00-'07 Touring models.

**44360-00A** Chrome.

**44367-00A** Teardrop.

**44358-00A** Vivid Black.

**Rear**  
Fits '00-'10 XL, '00-'17 Dyna (except FXDLS), '00-later Softail (except FXSE), and '00-'07 Touring models. Separate purchase of Brake Rotor Hub Plate P/N 43837-00 is required when installing on FXSTD original equipment 17" wheels.

**41500109** Split 7 Spoke.

**41500110** Split 7 Spoke, Black.

**44359-00A** Chrome.

**44368-00A** Teardrop.

**44357-00A** Vivid Black.

**41500069** Turbine.

# 644 WHEELS

Billet Sprockets & Accessories

## A. TURBINE BILLET SPROCKET

Designed to complement the wheel's styling, these custom sprockets are manufactured from 6061-T6 forged billet aircraft aluminum and precision machined to exacting Original Equipment standards. Harley-Davidson® custom sprockets are finished with a proprietary process that combines the decorative chrome with a wear-resistant surface applied to the teeth.

**42200007**

Fits '18-later Softail® models, '07-'17 FLS, FLSS, FLSTC, FLSTN, FLSTSC, FXCW, FXCWC, FXS, FXSB and FXSTD, '12-'17 FLSTF, FLSTFB, FLSTFBS, FLSTNSE, FLSTSE, FXSBSE and FXST, and '16-'17 FXSE models. Does not fit '07-'15 Japan models. Requires separate purchase of model-specific sprocket mounting hardware.

## B. MAGNUM 5 SPROCKET COVER - CHROME

Styled to match the distinctive Magnum 5 Custom Wheel. Available in mirror chrome, this Sprocket Cover gives the appearance of having a custom sprocket at a fraction of the cost. Cover is easy to install with Original Equipment hardware or add the Chrome Hardware Kit P/N 94773-07 (sold separately) for a finished look.

**40120-09**

Fits '07-'17 Dyna® models (except FLD).

## C. CHROME SPROCKET COVER

This Sprocket Cover gives the appearance of having a chrome sprocket at a fraction of the cost. It matches the styling of the Original Equipment sprocket and bolts on using the stock hardware.

**37757-07**

Fits '07-'17 Softail (except FLSTNSE, FXCW, FXCWC, FXSB, FXSBSE and FXSE).

**91347-00**

Fits '00-'06 Softail models.

## D. REAR SPROCKET BOLT COVER KIT

These chrome-plated covers with internal spring clips hide the Original Equipment sprocket bolts for a clean, custom look. Set of 5 covers.

**43876-04**

Fits '04-'22 XL, '93-'17 Softail, '99-later Touring models with Original Equipment 7/16" hex head sprocket mounting bolts (5/8" hex across the flats).



A. TURBINE BILLET SPROCKET



B. MAGNUM 5 SPROCKET COVER - CHROME



C. SPROCKET COVER - CHROME



D. REAR SPROCKET BOLT COVER KIT



E. DECORATIVE WHEEL WEIGHTS - BAR & SHIELD



F. BRAKE ROTOR HARDWARE KIT - CHROME (91800029 SHOWN)



F. BRAKE ROTOR HARDWARE KIT - CHROME (41500095 SHOWN)



F. BRAKE ROTOR HARDWARE KIT - CHROME (46646-05 SHOWN)



G. SPROCKET HARDWARE - CHROME HEX HEAD



H. CHROME-PLATED ABS VALVE STEM CAPS



I. CHROME-PLATED BRASS VALVE STEM CAPS



# WHEELS 645

Wheel Accessories

## E. DECORATIVE WHEEL WEIGHTS - BAR & SHIELD

Calibrate your wheel balance with a touch of class with these uniquely designed wheel weights. Adhesive backing for easy installation.

**95615-04** .5 oz.

Fits Original Equipment and accessory wheel rims.

## F. BRAKE ROTOR HARDWARE KIT - CHROME

It's the details, like this chrome hardware kit, that really get your bike noticed. This hardware adds a unique chrome-plated finish to the Original Equipment or accessory floating brake rotors. Kit includes 5 chrome-plated bolts manufactured to factory specifications to ensure fit and performance.

**91800029** Shoulder Bolt - Front.

Fits '02-later models equipped with Open Brake Rotor P/N 44343-01, 44553-06A, 41500012A, 41500040 or 41500042.

**41500095** Button Head - Front.

Fits '09-later Touring models equipped with Enforcer or Impeller Wheels.

**46646-05** Button Head - Front.

Fits '90-later models (except VRSC™, FXSB, FXSE, '14-later Touring and Trike and models equipped with Open Brake Rotor P/N 44343-01, 44553-06A, 41500012, 41500040 or 41500042). Does not fit RA1250 and RA1250S models.

**46647-05** Button Head - Rear.

Fits '92-later models (except Trike). Does not fit RA1250 and RA1250S.

## G. SPROCKET HARDWARE - CHROME HEX HEAD

This kit includes highly polished, chrome-plated, grade 8 hex-head screws with chrome-plated washers, providing an extra custom accent. The perfect addition to the chrome sprocket. Made from the same Original Equipment bolts to ensure product integrity. Also works with chrome belt sprocket covers and Original Equipment sprockets.

**94773-07**

Fits '07-'17 Dyna® and Softail® models.

**94773-00A**

Fits '00-'05 Dyna and '00-'06 Softail models.

**94708-98**

Fits '91-'22 XL and '93-'99 Dyna and Softail models.

## H. CHROME-PLATED ABS VALVE STEM CAPS

A special chrome touch with special graphics. Will not seize on valve stems and includes O-rings for reliable seal. Sold in pairs.

Universal fitment. Also fits suspension air valves.

**1. 41144-97** Color Bar & Shield Logo.

**2. 41145-97** Bar & Shield Outline on Black.

**3. 41171-03** White Skull Logo on Black.

## I. CHROME-PLATED BRASS VALVE STEM CAPS

The beauty of chrome with the durability of machined brass, featuring a laser-etched Bar & Shield logo painted black. Available with a traditional, unique fluted or rugged acorn-shaped cylinder. Will not seize on valve stems and includes O-rings for reliable seal. Sold in pairs.

Universal fitment. Also fits suspension air valves.

**1. 41148-98**

Acorn Nut with Bar & Shield Logo.

**2. 41150-98**

Acorn Nut with Grooved Cylinder with Bar & Shield Logo.

Model Family Fitment:

- V-ROD
- SPORTSTER
- DYNA
- SOFTAIL
- TOURING